

## FLOAT AND THERMOSTATIC STEAM TRAPS FLT 16 - FLT17 - FLT32 SLR Assembly (optional)

### DESCRIPTION

In siphon drip tubes connected to rotating cylinders or long drain lines a steam pocket may form and so the condensate does not reach the trap.

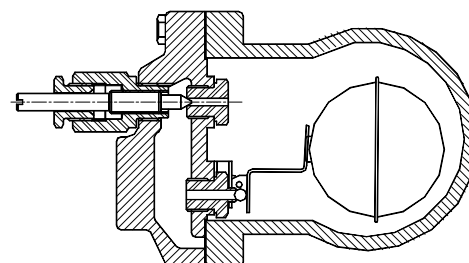
This condition is normally known as *steam locking* and when float and thermostatic steam traps are used it is necessary to prevent the problem.

The SLR - Steam Lock Release should be requested to bleed away that steam.

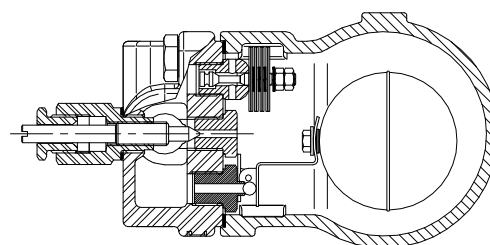
All the ADCA float and thermostatic steam traps can be supplied with the SLR and some can even be supplied with both SLR and air vent.

FLT 16 DN15-DN20 Series can be supplied with air eliminator (standard) or with SLR in alternative, FLT17, FLT32 and FLT14I series can be supplied with air eliminator (standard), with SLR or with both air vent and SLR on request.

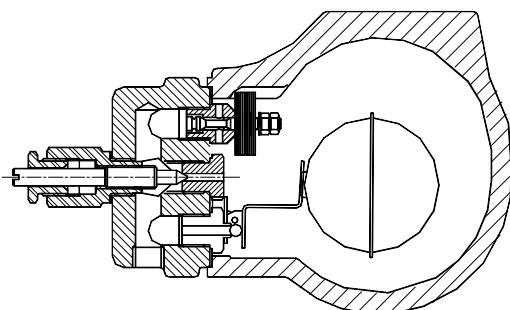
Internal strainer can also be supplied with the following models: FLT17 and FLT17HC; FLT32 and FLT32HC.



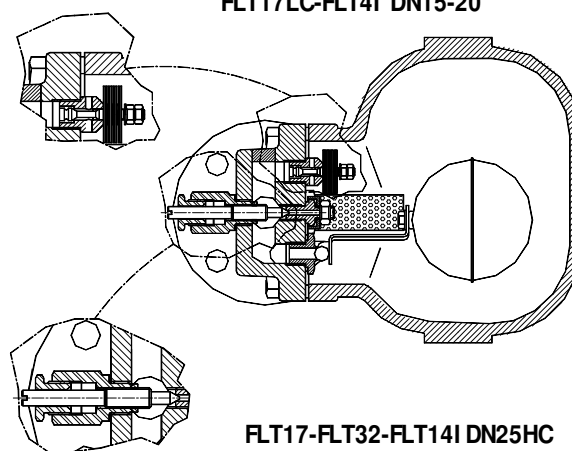
FLT16 DN15-20



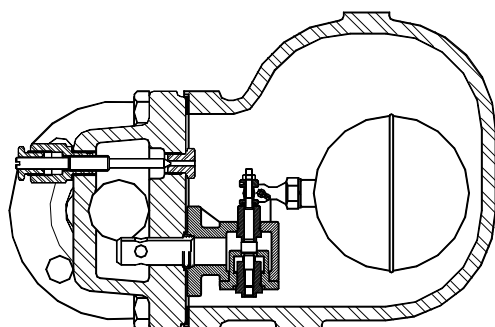
FLT17LC-FLT4I DN15-20



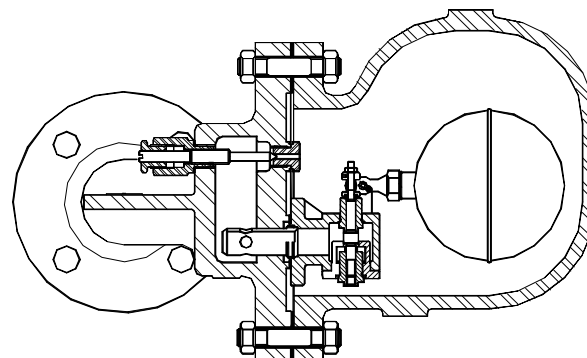
FLT17-FLT32-FLT4I DN15-25



FLT17-FLT32-FLT14I DN25HC



FLT17-FLT32-FLT4I DN40-50



FLT17 DN50HC