

BIMETALLIC STEAM TRAP UniAdca BSR22

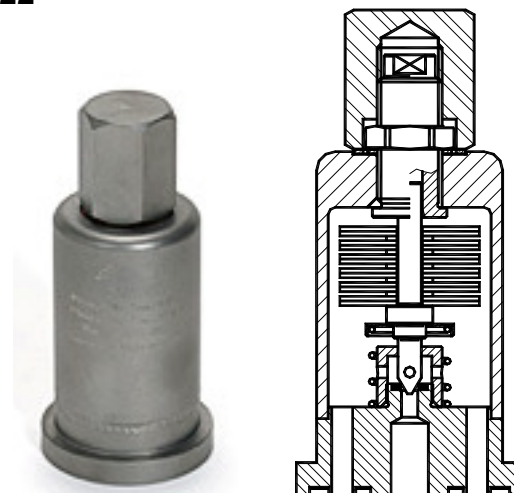
DESCRIPTION

UniAdca BSR22 complete stainless steel, maintenance free sealed series bimetallic steam traps and air eliminators are simple and robust traps, recommended for steam tracing applications and where condensate sensible heat can be recovered.

These traps fit the CX40 UniAdca connectors.

MAIN FEATURES

- External adjustment device
- Modulating discharge.
- Discharges condensate below steam temperature.
- Excellent air discharge.
- Operates on superheated steam.
- Unaffected by water-hammer and vibrations.



OPTIONS: Sealed with external regulation

USE : Saturated and superheated steam.

AVAILABLE MODELS : BSR 22

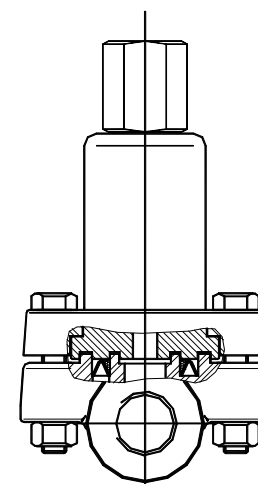
SIZES : DN 1/2" , 3/4" and 1"
DN 15, 20 and 25.
According to the selected pipeline connector , see IS 1.0910

INSTALLATION: In any position.
See IMI installation and maintenance instructions.

PMA – Max. allowable pressure	80 bar
TMA – Max. allowable temperature	425 °C
PMO – Max. operating pressure	22 bar
TMO – Max. operating temperature	400 °C

Materials:

AlSi316 / 1.4401 throughout
Regulator - bimetallic
Valve and seat - hardened stainless steel
Weight - 0,8 Kgs



Steam trap plus pipe connector
See IS 1.0915

How to order:

- Steam trap: BSR 22 (Bimetallic steam trap with external regulator).
- Pipe connector:
- CX40S DN ... (Forged steel pipe connector)
- CX40SS DN ... (Stainless steel pipe connector)
- The complete set:
- BSR22XS DN ... (Steel pipe connector CX40S plus BSR22 steam trap)
- BSR22XSS DN...(Stainless steel pipe connector CX40SS plus BSR22 steam trap)

FLOW RATE CAPACITY IN Kgs/h															
MODEL	SIZE	DN	DIFFERENTIAL PRESSURE (bar)												
			0,5	1	2	4	6	8	10	12	14	16	18	20	22
BSR 22	15 - 25	A	25	55	70	85	90	95	100	102	104	105	107	108	110
BSR 22	15 - 25	B	60	140	175	210	225	240	250	255	260	265	267	270	273

A = Condensate discharge at 10°C below saturation temperature. **B** = Cold water capacity at about 20°C.