

3-WAY BALL VALVE SERIES 20L/T - 21L/T

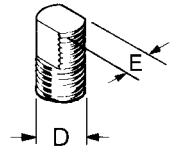
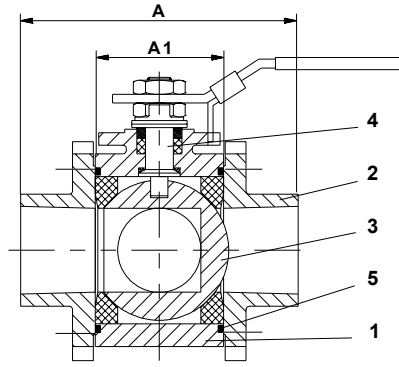
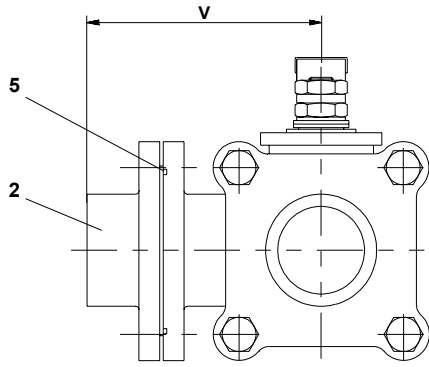
Horizontal
Stainless steel A351 CF8M

L /T- bore
Carbon steel A216 WCB

Series 20L/T 3rd port welded to the center section
Series 21L/T Center section and 3rd port in one unique mould
Material code and dimensions see main data sheet series 20



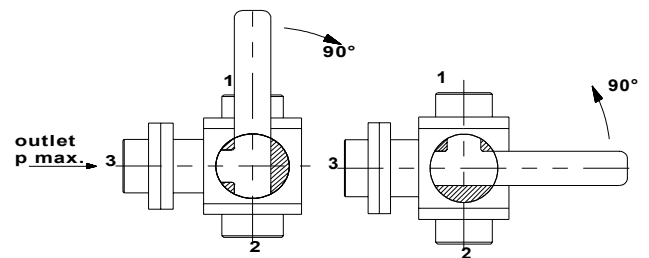
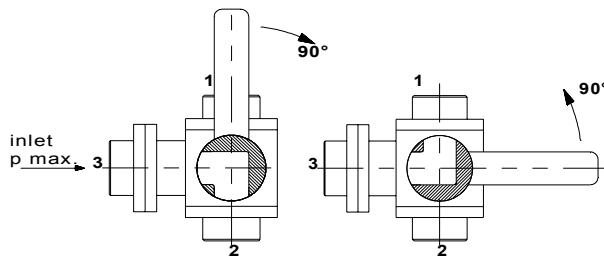
PN 50 - DN 15 - 40 full bore - DN 20 - 50 reduced bore



1	Body	Stainless steel	Carbon steel
2	End cap	A351 CF8M	A216 WCB
3	Ball	A351 CF8M	A216 WCB
4	Stem	316	316
5	Body seal	PTFE/glass reinforced	PTFE/glass reinforced

Scheme L-port

Scheme T-port



full bore DN	A	A1	V Series 20L/T	V Series 21L/T
15* port 3 DN10	75	24.6	75	-
15	75	24.6	80	73
20	90	31.7	80	87
25	110	41.3	91	99
32	115	48.4	97	103
40	130	56.3	111	113
reduced bore DN	A	A1	V Series 20L/T	V Series 21L/T
20	75	24.6	75	73
25	90	31.7	80	87
32	110	41.3	91	99
40	115	48.4	97	103
50	130	56.3	111	113